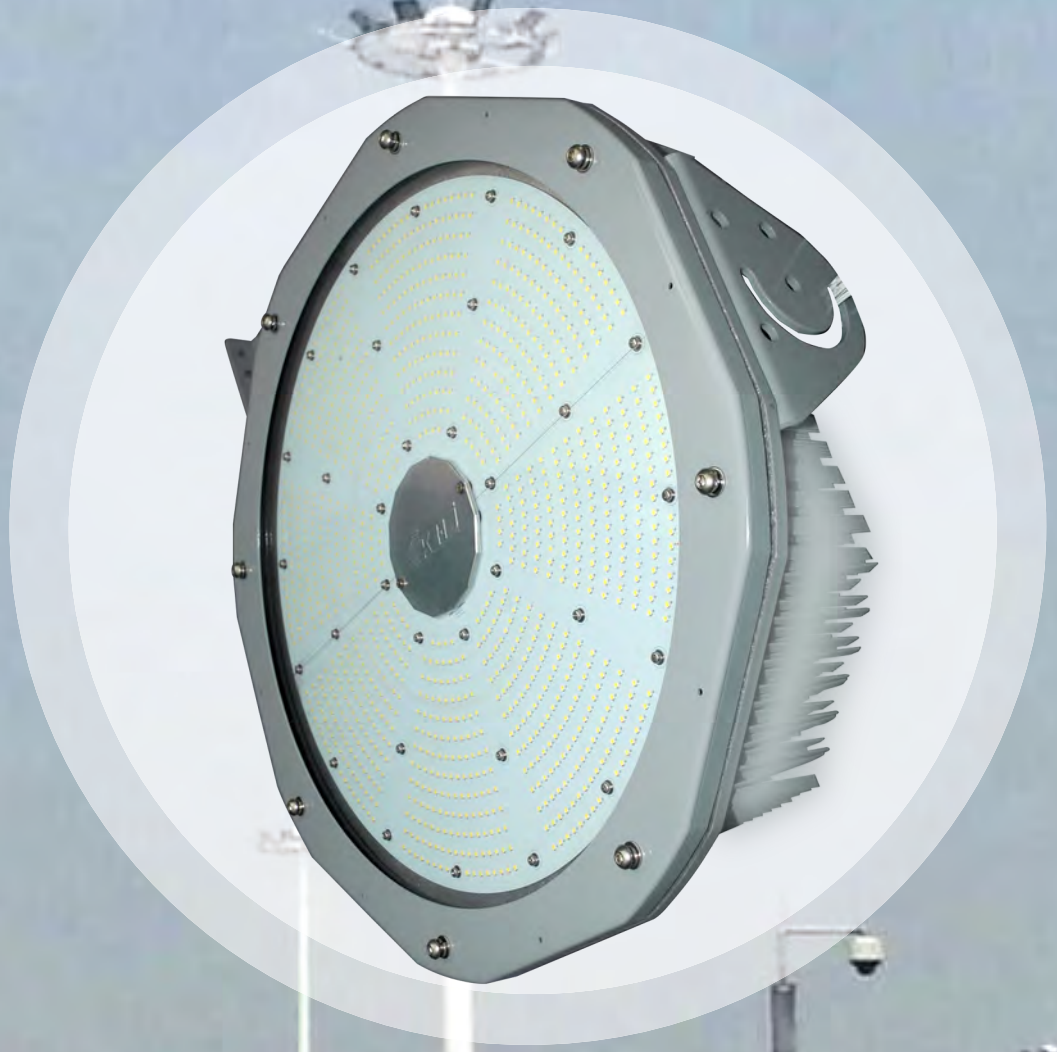


Sea Anemone Series



LED Industrial Lighting

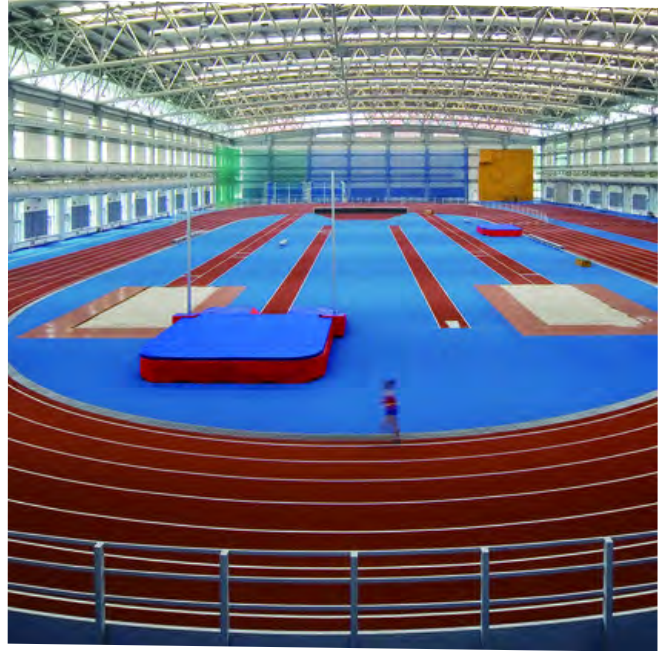
★ LED Industrial Light

★ INTRODUCTION



Features and benefits

1. Seoul LED source. Long lifespan. High lumen output, luminous efficacy 120lm/W.
2. Reinforced insulation design, enlarge electrical clearance to make sure electric safety.
3. Anti-off Set designed screw to ensure the installation safety.
4. High strength aluminum alloy housing. Shock- and vibration-resistant- tempered glass can endure 7 J impact. IP66.
5. 360W, 480W available, 2 candela distribution optional (H4V4、H6V6) for different applications.
6. 480W true 1 for 1 replacement for 1,000W MH. Energy savings up to 60%.
7. Terminal compartment is isolated from the LED source compartment. Ensure safety. Much easier for connection and maintenance.
8. Ambient temperature from -40°C to 55°C.



Application:

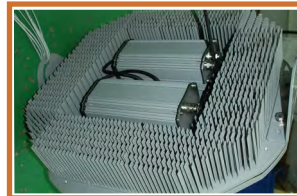
1. High lumen output for installation in high mounting heights 10-50m;
2. Where corrosive, wet, dusty, hot and/or cold conditions exist indoor and outdoor.
3. Parking areas, Manufacturing plants; heavy industrial, chemical, petrochemical or pharmaceutical facilities; platforms; loading docks; outdoor mounted general area lighting; smelters, mine roadways, ect.



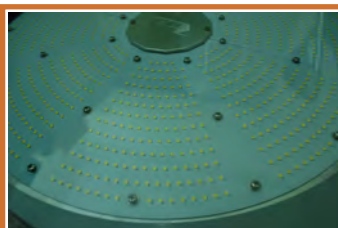
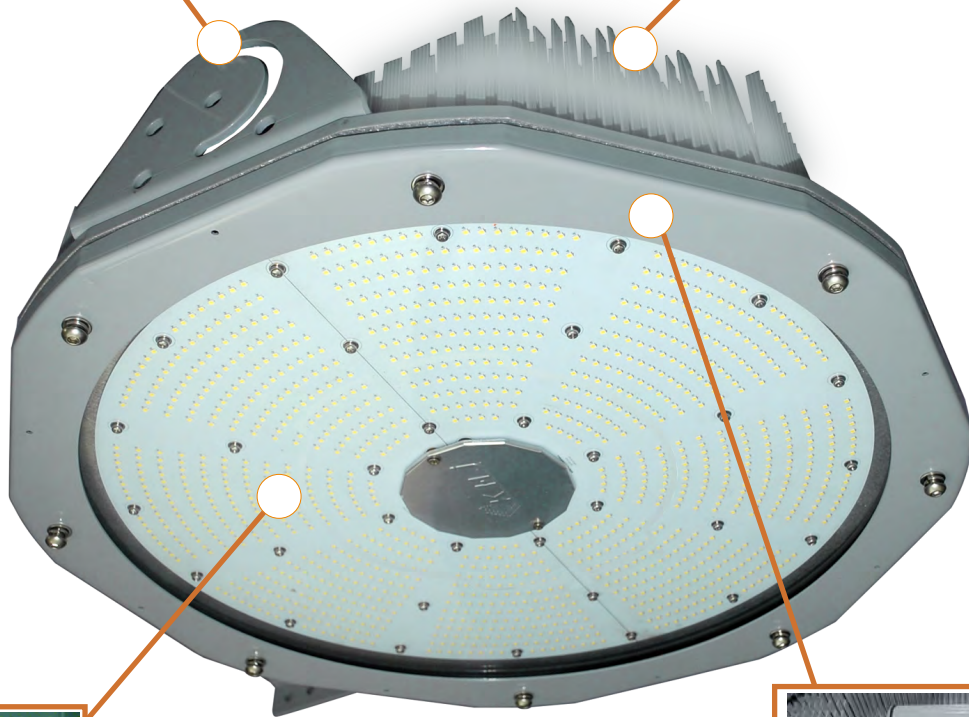
★ CHARACTERISTIC DETAILS



Adjusting plate, can be adjust in different mounting angles adjust different angles.



Thick walls of the castings enlarge the surface of heat sink. Lower the junction Temp., guarantee the life span.



Anti glare design, reduces glare in applications where the user may have direct visual contact with the light source.

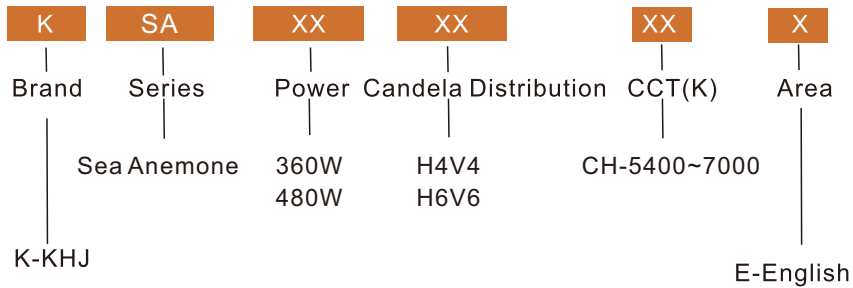


Terminal compartment is isolated from the LED source compartment Ensure safety. Much easier for connection and maintenance.

★ PERFORMANCE PARAMETER



Product Definition



Electrical Parameter

Product type	Rated input voltage (V AC)	Rated input current (A)	Voltage frequency (Hz)	Rated power (W)	Input current (mA)	PF
KSA360	100~277	1.28~3.6	50/60	360	60	>0.95
KSA480	100~277	1.7~4.8	50/60	480	60	>0.95

Photometric Parameter

Product type	P/N	Color temp.	CCT (K)	CRI	Luminous flux (lm)
KSA360	KSA360H4V4CH-E	Cool white	5400~7000	80	53760
	KSA360H4V4CH-MC-E	Cool white	5400~7000	80	53760
	KSA360H6V6CH-E	Cool white	5400~7000	80	53760
	KSA360H6V6CH-MC-E	Cool white	5400~7000	80	53760
KSA480	KSA480H4V4CH-E	Cool white	5400~7000	80	68096
	KSA480H4V4CH-MC-E	Cool white	5400~7000	80	68096
	KSA480H6V6CH-E	Cool white	5400~7000	80	68096
	KSA480H6V6CH-MC-E	Cool white	5400~7000	80	68096

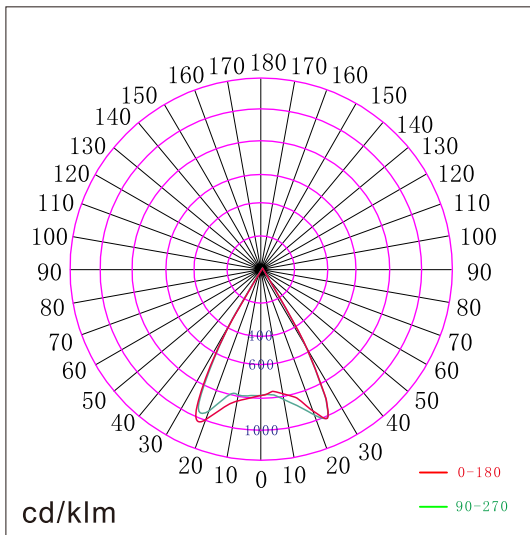
Other Parameter

Product type	Size (mm)	Weight (Kg)	Ambient temp. (°C)	Max. surface temp. (test in 25 °C)	IP Code	Insulation
KSA360	580×580×144	22.8	-40~+55	65	IP66	I
KSA480	580×580×144	22.8	-40~+55	65	IP66	I

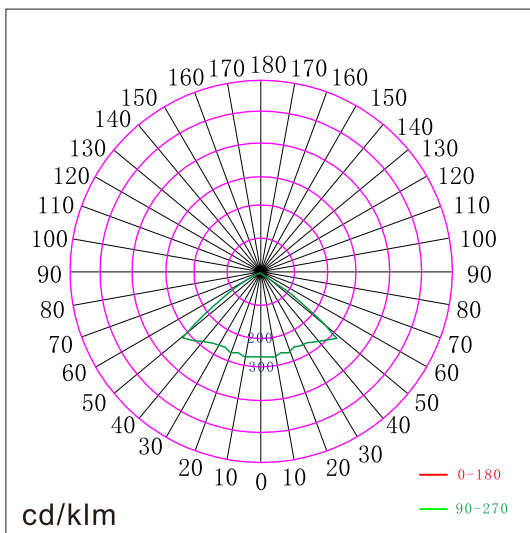
★ PERFORMANCE PARAMETER



Candela Distribution



H4V4
→



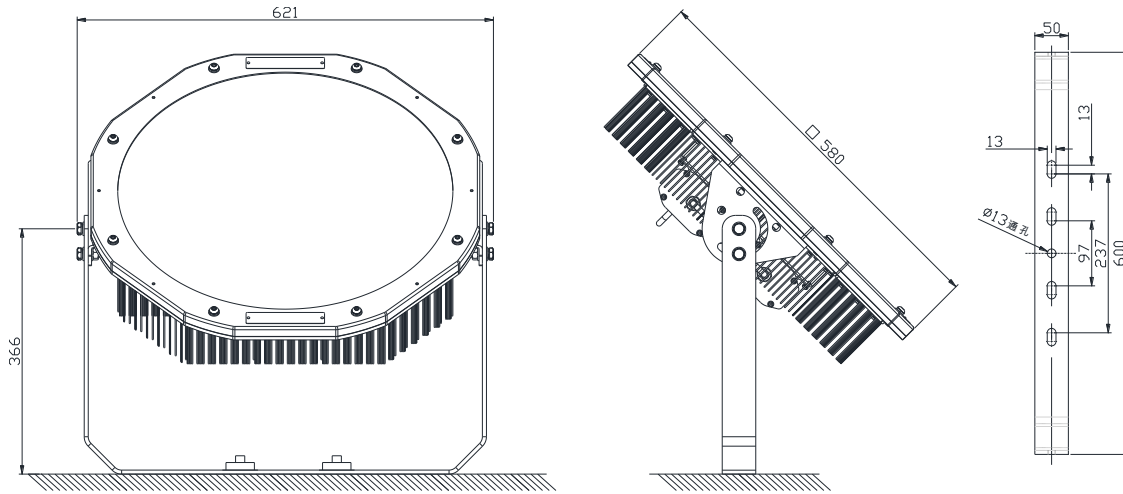
H6V6
→



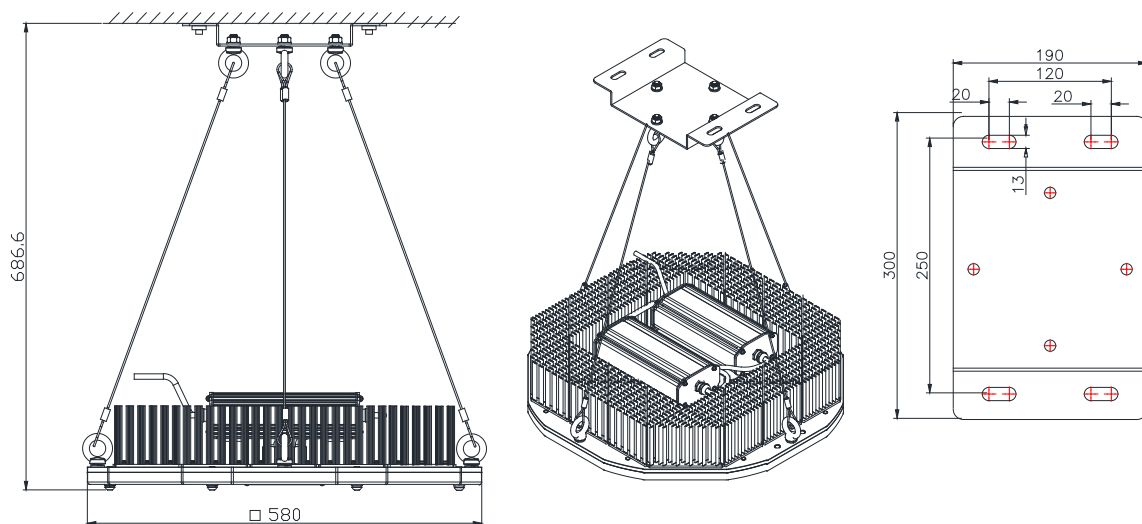
★ INSTALLATION METHOD



Installation Method



Stanchion mount

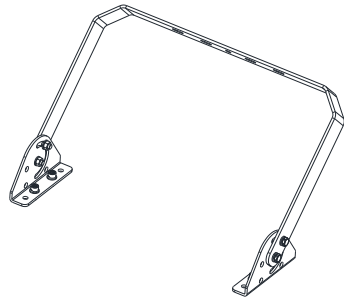


Pendant Mount

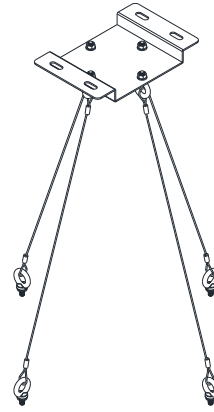
★ ACCESSORIES



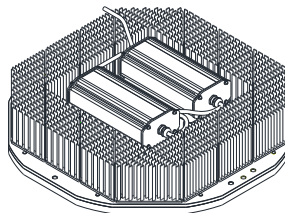
Optional Parts



Stanchion mount



Pendant Mount



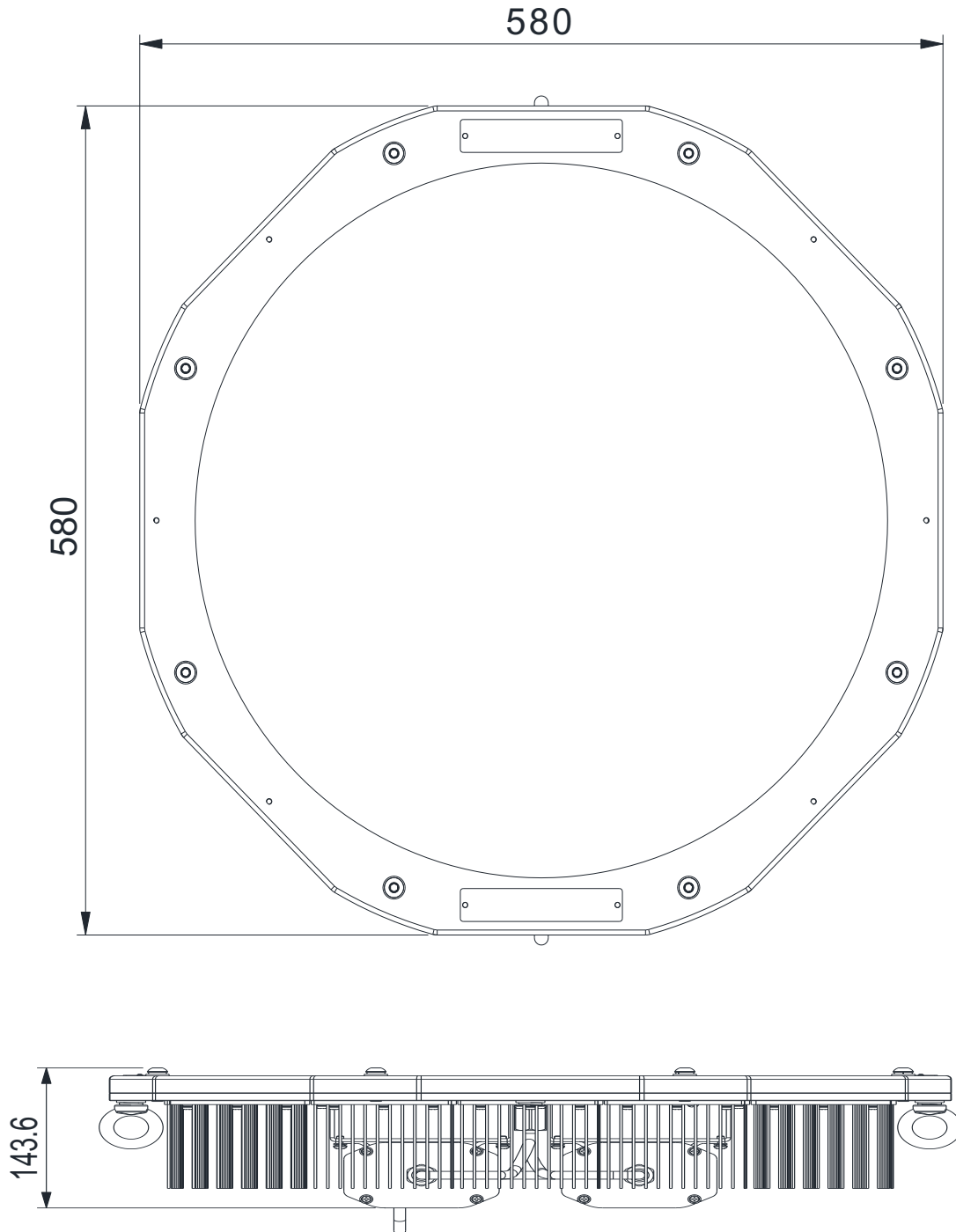
Luminaires

NO.	Installation accessories	Material	Weight(Kg)	QTY	Remarks
1	Stanchion mount 	Q235	4.7	1	/
2	Pendant Mount 	45#	2.5	4	

★ SIZE



Size



⚠ Caution:

1. To avoid the risk of fire, explosion, or electric shock, this product should be installed, inspected, and maintained by a qualified electrician only, in accordance with all applicable electrical codes.
2. To avoid electric shock:
Be certain electrical power is OFF before and during installation and maintenance.
Luminaire must be supplied by a wiring system with an equipment grounding conductor.
3. To avoid burning hands:
Make sure lens and housing are cool when performing maintenance.
4. To avoid explosion:
 - 1) Make sure the supply voltage is the same as the luminaire voltage.
 - 2) Do not install where the marked operating temperatures exceed the ignition temperature of the hazardous atmosphere.
 - 3) Do not operate in ambient temperatures above those indicated on the luminaire nameplate.
 - 4) All gasket seals must be clean.
 - 5) Before opening, electrical power to the luminaire must be turned off. Keep tightly closed when in operation.

Package Check

1. Check the carton and all the components according to the packing list.
2. Make sure the product is in good conditions.

Transportation

Please keep this product from heavy mechanical shock, exposure to strong sunshine, throwing, rolling and stress during transport.

Storage

Kept in dry, clean and well-ventilated, non-corrosive medium warehouse, the ambient temperature should be -40°C to 55°C.

After-sales service

Installation and maintenance must be according to the instruction.
If customer can not deal with it by themselves, please contact with sales department.

Contact

SHENZHEN KHJ SEMICONDUCTOR LIGHTING CO., LTD.

Address: 4-5 Floor, Building 7, HuangBeiLingJingXuan Industrial park, No.2 Dong Huan Rd, Yousong, Longhua new District, Shenzhen China.

Tel: +86-755-33953361
E-mail: khjledsales@khj.cn

Fax: +86-755-28030133
Web: www.khjled.com