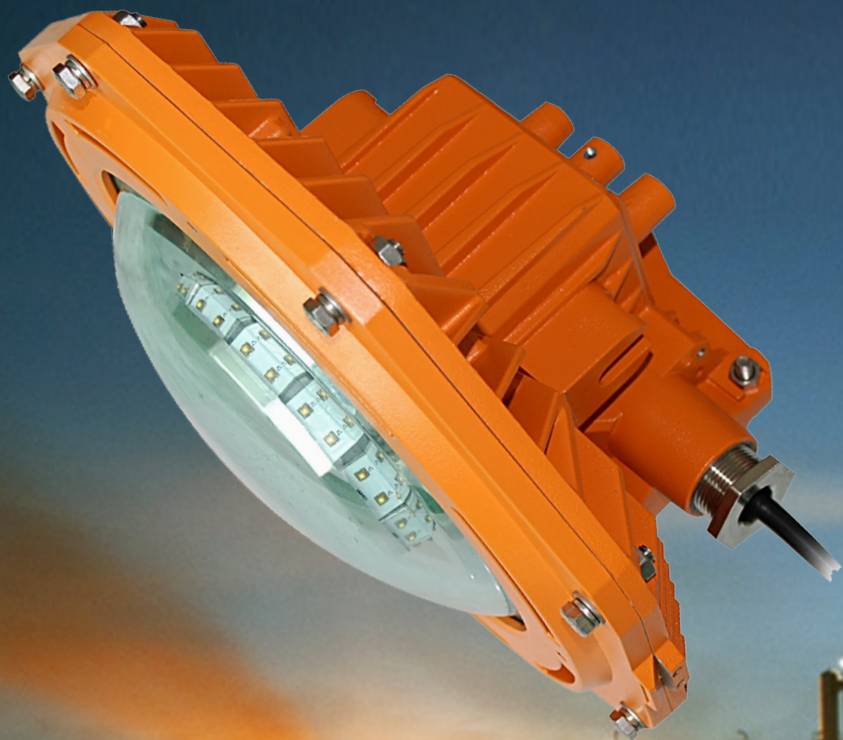


Golden Frog Series



LED Explosion proof Floodlight

EX MARK: Ex d IIB T5 or T6 Gb,
Ex t IIICT95°C or T80°C Db IP 66
ATEX Certificate No.: LCIE 12 ATEX 3070 X
IECEX Certificate No.: IECEX CQM 12.0033X

★ **KHJ-LED Explosion Proof Lighting**

Features and benefits

1. Energy saving. Reduce the number of luminaires you need, providing excellent efficacy-more light where you need it.
2. Anti-glare, reduces glare in applications where the user may have direct visual contact with the light source.
3. Shock- and vibration-resistant- tempered glass , reduces the risk of premature failure.
4. OSRAM LED source. High efficiency lumen output and high CRI.
5. Driver module assembly -High efficiency LED drivers are designed to provide reliable operation in even the harshest environments.
6. High-strength aluminum alloy enclosure, can endure 20J impact. IP66, can be used in marine and wet locations-robust construction suitable for saltwater and corrosive applications.
7. Ambient temperature from -40° C to 55° C.

Applications:

1. Petroleum Industry, Petrochemical Industry, Metallurgical Industry, Power Generation Industry, Power Transmission Industry, Machine Manufacturing. etc.
2. Drilling platform, single point moorings, oil tanks, work over platform, production platform, field tank, manifold center, pumping station, gasoline station, transformer station, coating plant ,warehouse .etc.

Executive Standard:

- IEC 60079-0:2007
- IEC 60079-1:2007
- IEC60079-31:2008
- EN 60079-0:2009
- EN 60079-1:2007
- EN 60079-31:2009
- EN 60598-1:2008+A11:2009
- EN 55015:2013
- IEC 62321:2008

Division:

- ATEX Zone 1 & 21 and 2 & 22
- Class I Divison 1&2 Groups C、 D
- Class II Divison 1 Groups E、 F、 G
- Class II Divison 2 Groups F、 G
- Class III Divison 1
- Class III Divison 2



Certifications & Ratings:

- Ex d IIB T5 or T6 Gb;
- Ex t IIIC T95°C or T80°C Db IP 66
- ATEX Compliant
- IECEx Compliant
- ABS Compliant
- CE Compliant
- RoHS Compliant
- IP 66 Rated

★ CHARACTERISTIC DETAILS



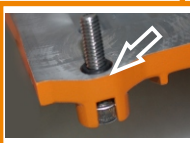
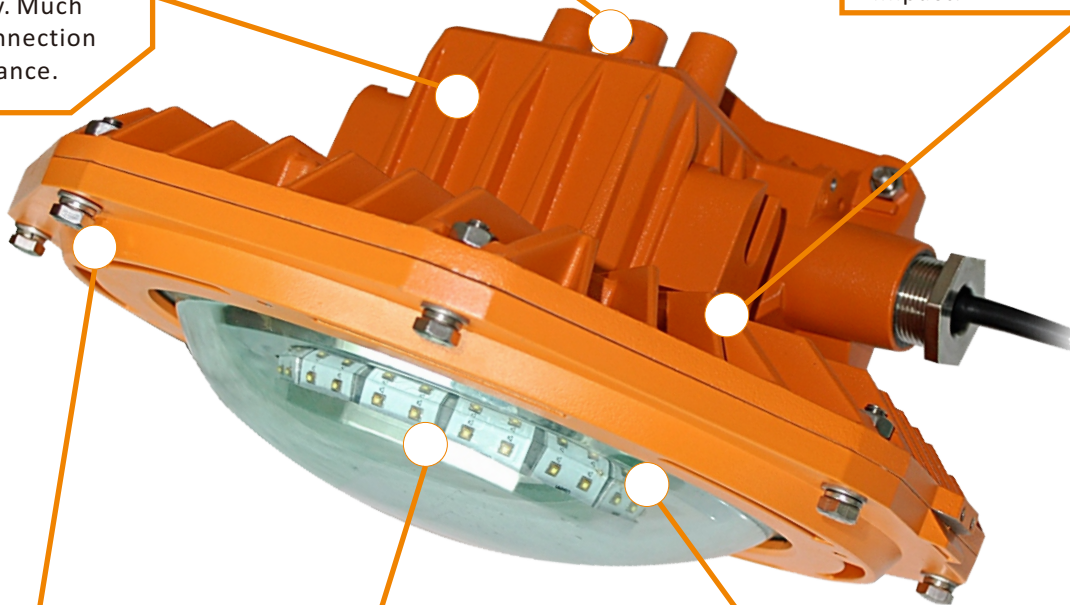
Terminal compartment is isolated from the LED source compartment. Ensure safety. Much easier for connection and maintenance.



Installation loop is designed with Anti-off Set screw to ensure the safety. Perfect heat dissipation design, providing an efficient thermal path to the heat sink assembly.



Explosion proof aluminium alloy enclosure, high anti-impact performance. Can endure 20J impact.



Anti-off designed screw to reduce the time of installation and maintenance.

OSRAM LED source, high efficacy and lumen output.



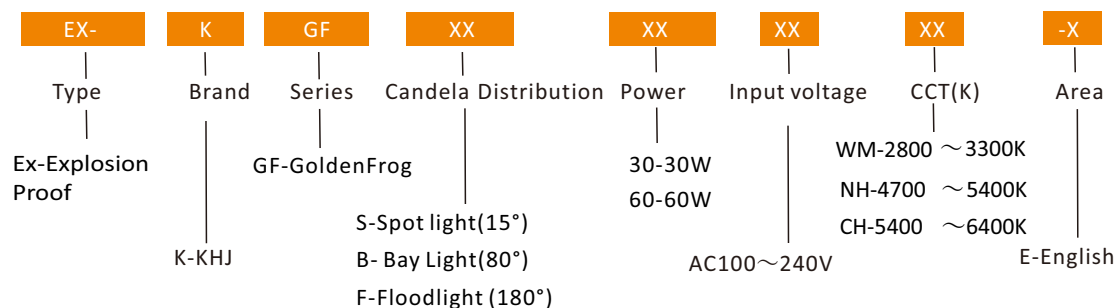
The LED is clung to the enclosure, which can make the heat dissipation very fast. Lower the junction temp.

Characteristic details

★ PERFORMANCE PARAMETER



Production Definition



Electrical parameter

Product type	Rated input voltage (VAC)	Rated input current (A)	Voltage frequency(Hz)	Rated power(W)	LED input current(mA)	PF	THD
Ex-KGF30	100~240	0.33~0.14	50/60	30	310	>0.98	<10%
Ex-KGF60	100~240	0.66~0.28	50/60	60	600	>0.98	<10%

Photometric parameter

Product type	P/N	Color temp.	CCT(K)	CRI	Luminous Flux(lm)	Candela Distribution		
Ex -KGF30	Ex -KGFF30WM-E	Warm white	2800 -3300	82	2508	A		
	Ex -KGFF30NH-E	Natural white	4700 -5400	70	3135			
	Ex -KGFF30CH-E	Cool white	5400 -6400	70	3135			
	Ex -KGF60	Ex -KGFB30WM-E	Warm white	2800 -3300	82	2458	B	
		Ex -KGFB30NH-E	Natural white	4700 -5400	70	3072		
		Ex -KGFB30CH-E	Cool white	5400 -6400	70	3072		
		Ex -KGF30	Ex -KGFS30WM-E	Warm white	2800 -3300	82	2383	C
			Ex -KGFS30NH-E	Natural white	4700 -5400	70	2978	
			Ex -KGFS30CH-E	Cool white	5400 -6400	70	2978	
Ex -KGF60	Ex -KGFF60WM-E	Warm white	2800 -3300	82	4488	A		
	Ex -KGFF60NH-E	Natural white	4700 -5400	70	5610			
	Ex -KGFF60CH-E	Cool white	5400 -6400	70	5610			
	Ex -KGF60	Ex -KGFB60WM-E	Warm white	2800 -3300	82	4398	B	
		Ex -KGFB60NH-E	Natural white	4700 -5400	70	5498		
		Ex -KGFB60CH-E	Cool white	5400 -6400	70	5498		
	Ex -KGF60	Ex -KGFS60WM-E	Warm white	2800 -3300	82	4264	C	
		Ex -KGFS60NH-E	Natural white	4700 -5400	70	5330		
		Ex -KGFS60CH-E	Cool white	5400 -6400	70	5330		

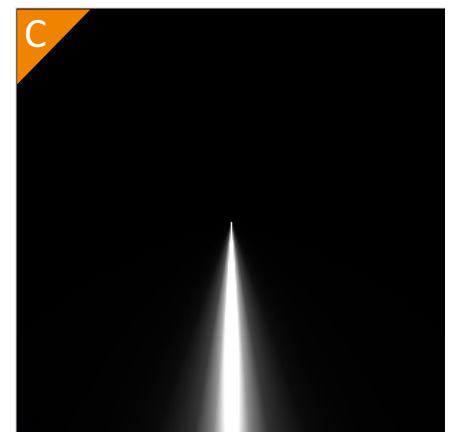
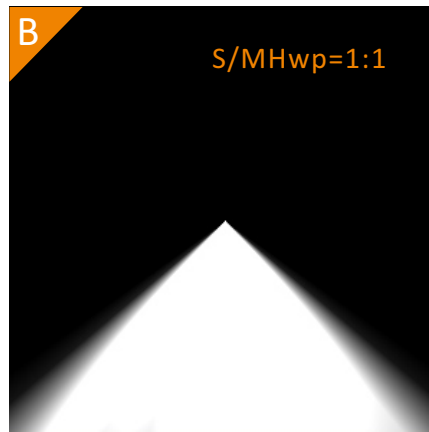
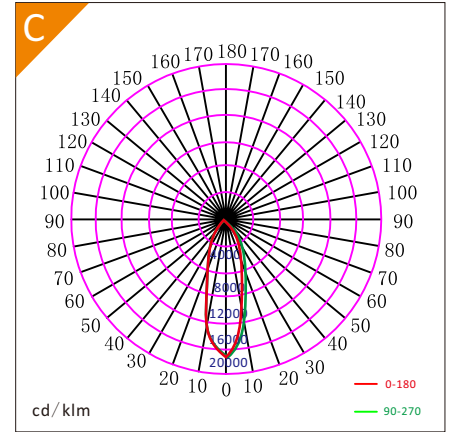
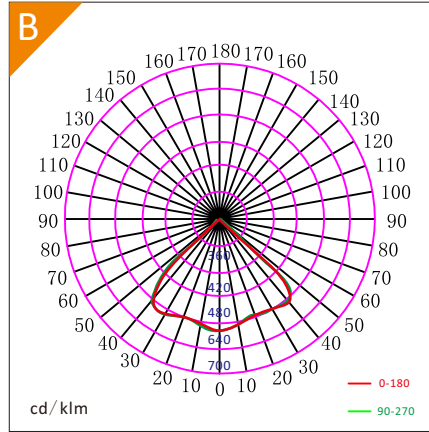
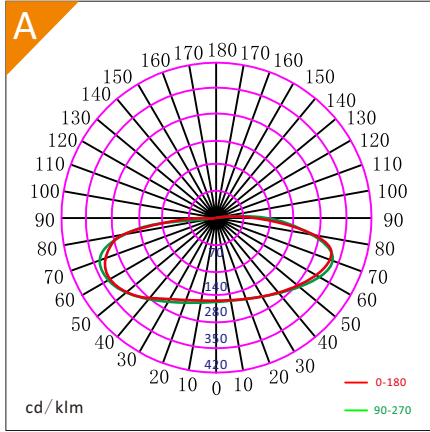
Other parameter

Product type	Size(mm)	Weight(Kg)	Ambient temp(°C)	Max surfacetemp. (test in 25°C)	IP code	Temp. classification	Insulation
Ex-KGF30	311*284*190	5.5	-40~+55	45	IP66	T6	I
Ex-KGF60	311*284*190	5.5	-40~+40	54	IP66	T6	I
	311*284*190	5.5	-40~+55	54	IP66	T5	I

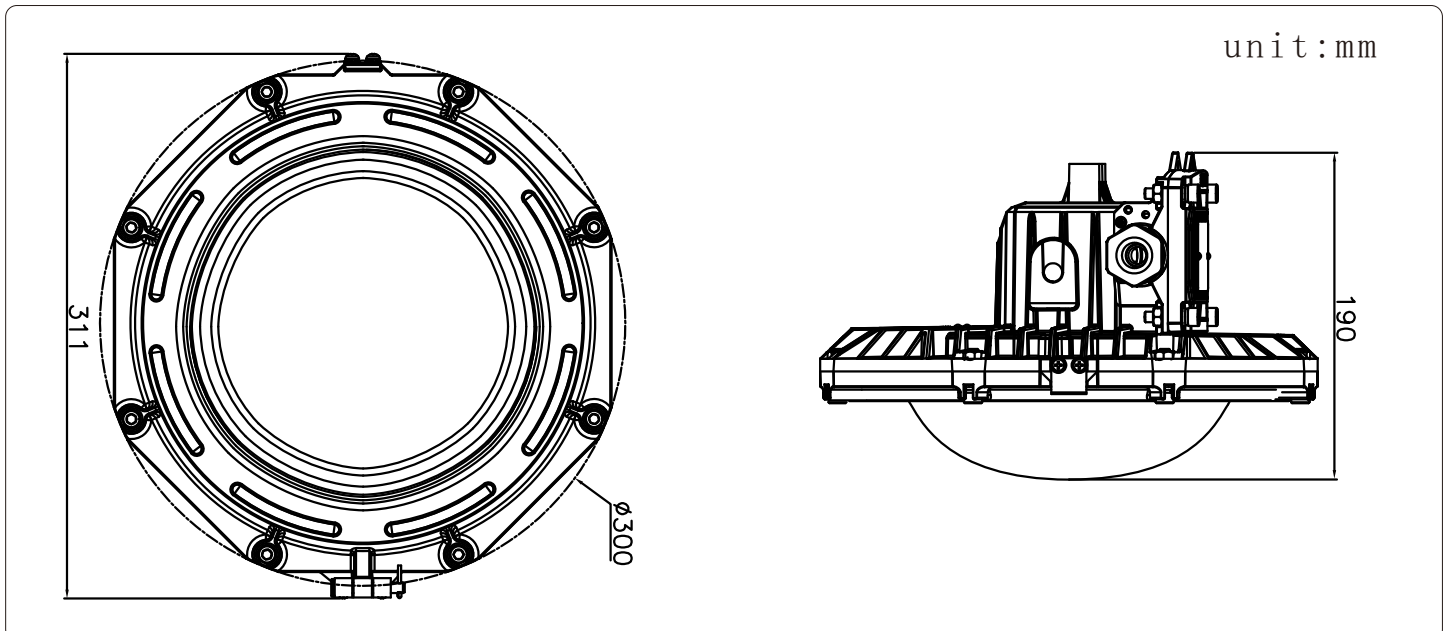
★ CANDELA DISTRIBUTION



Production Definition



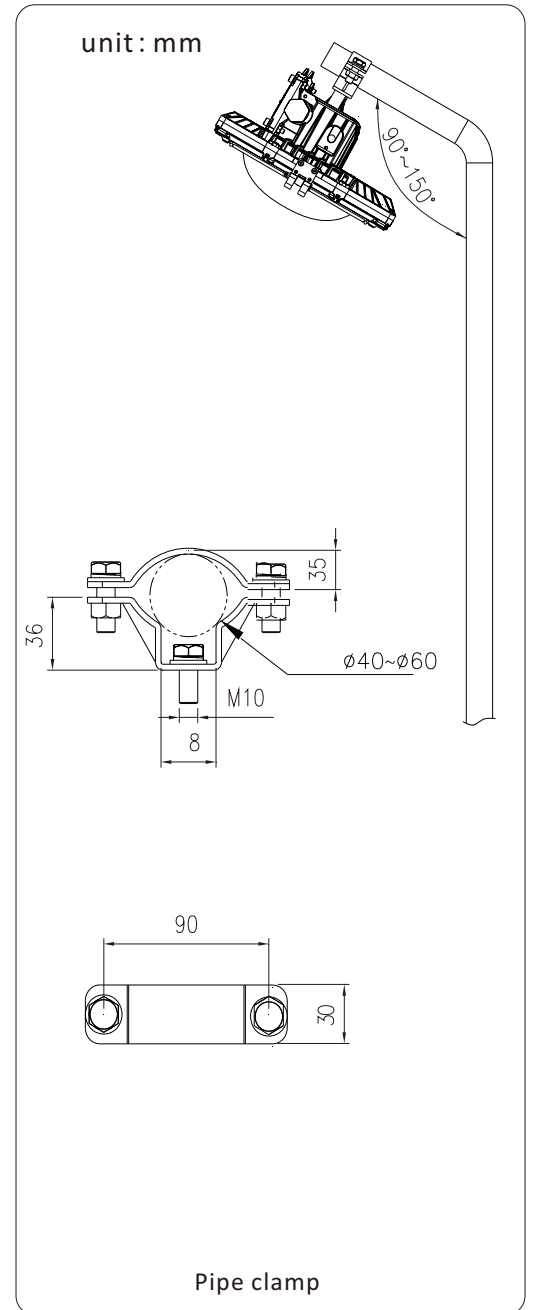
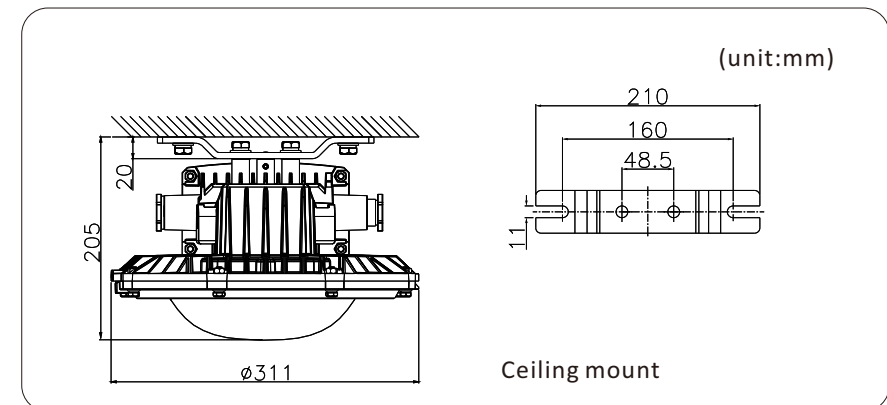
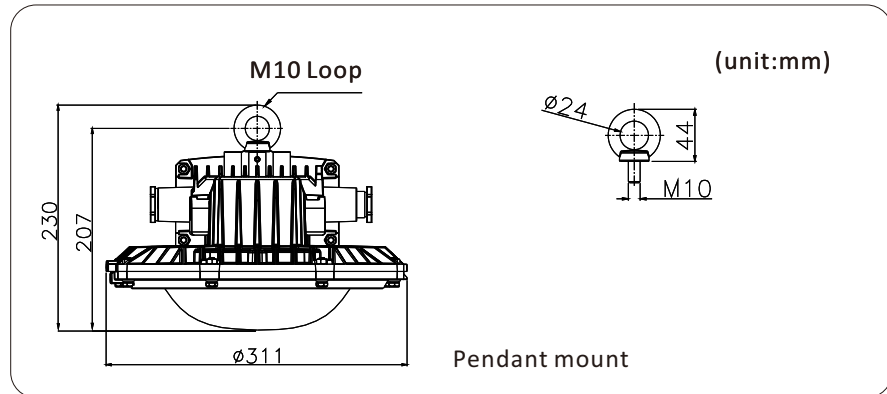
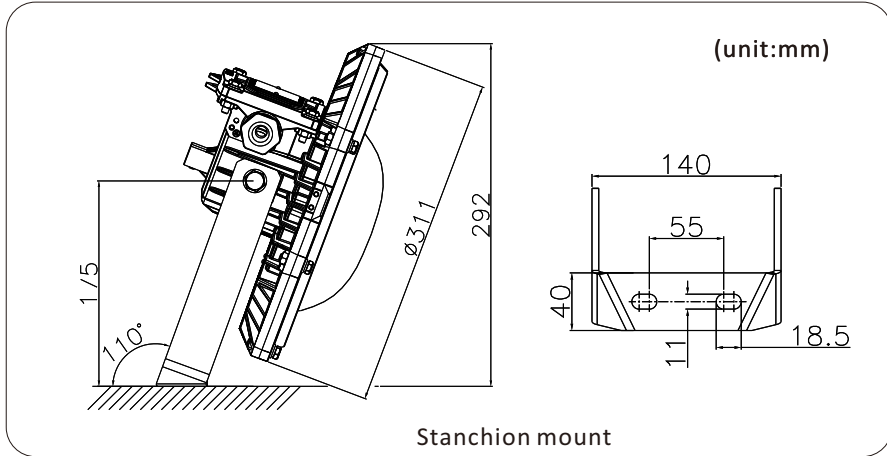
Size



★ INSTALLATION METHOD








Installation method

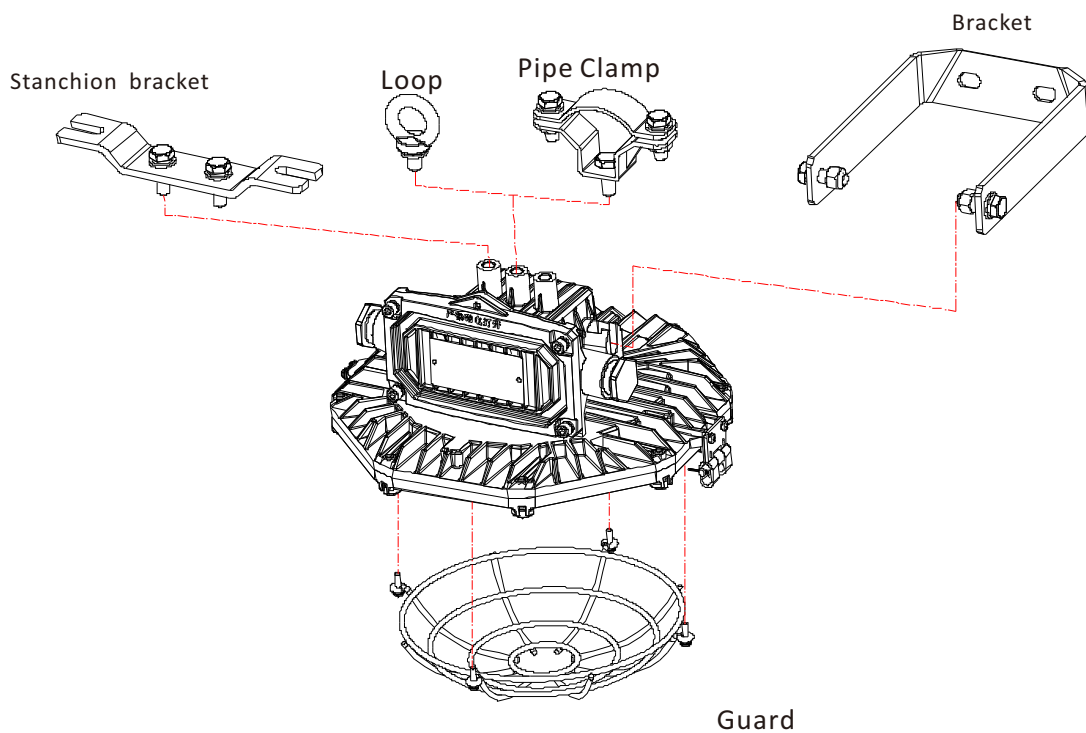




Optional parts

No.	Installation accessories	Picture	Material	Weight(Unit:Kg)	QTY
1	Bracket		SPCC	0.4	1
2	Stanchion Bracket		SPCC	0.4	1
3	Guard		SUS304	0.3	1
4	Loop		45#	0.1	1
5	Pipe Clamp		SPCC	0.27	1

Accessories



⚠ Caution

- 1.To avoid the risk of fire, explosion, or electric shock, this product should be installed, inspected, and maintained by a qualified electrician only, in accordance with all applicable electrical codes.
- 2.To avoid electric shock:
Be certain electrical power is OFF before and during installation and maintenance.
Luminaire must be supplied by a wiring system with an equipment grounding conductor.
- 3.To avoid burning hands:
Make sure lens and housing are cool when performing maintenance.
- 4.To avoid explosion:
 - 1)Make sure the supply voltage is the same as the luminaire voltage.
 - 2)Do not install where the marked operating temperatures exceed the ignition temperature of the hazardous atmosphere.
 - 3)Do not operate in ambient temperatures above those indicated on the luminaire nameplate.
 - 4)All gasket seals must be clean.
 - 5)Before opening, electrical power to the luminaire must be turned off. Keep tightly closed when in operation.

Package Check

1. Check the carton and all the components according to the packing list.
- 2.Make sure the product is in good conditions.

Transportation

Please keep this product from heavy mechanical shock, exposure to strong sunshine, throwing, rolling and stress during transport.

Storage

Kept in dry, clean and well-ventilated, non-corrosive medium warehouse, the ambient temperature should be -40°C to 55°C.

After-sales service

Installation and maintenance must be according to the instruction.
If customer can not deal with it by themselves, please contact with sales department.

Contact

SHENZHEN KHJ SEMICONDUCTOR LIGHTING CO., LTD.

Address: 4-5 Floor, Building 1, Chuangxin industrial park, Xintian community, Guanlan, Longhua new district, Shenzhen, China.

Tel: +86-755-82949977
E-mail: khjledsales@khj.cn

Fax: +86-755-82949800
Web: www.khjled.com