



# LED Explosion Proof Light

**ATEX & IECEx Certified LED Floodlight Hazardous Area.  
Tank Series**

- ⊕ II 2 G Ex db IIC T\* Gb
- ⊕ II 2 D Ex tb IIIC T\* Db IP66





## Features And Benefits:

- High efficacy LED Source with long lifespan, L70 > 100,000 hours @ 25°C ambient
- 5-year performance warranty
- Low THD around 10%, Less interference
- 6KV Surge Protection
- Robust aluminium housing and strong tempered glass
- Vibration and shock resistant
- Low maintenance
- Dust proof structure design to avoid dust accumulation

## Applications:



Oil&Gas Exploration



Drilling



Oil Refinery



Petrochemical Plant



Power Plant



Pharmaceutical Plant



ATEX & IECEx Certified LED Floodlight in Hazardous Area.

## LED Floodlight

Standard & Certificate:	
Ex Mark:	Gas: Ⓜ II 2 G Ex db IIC T* Gb Dust: Ⓜ II 2 D Ex tb IIIC T* Db IP66
Certificate:	ATEX Certification NO.: TÜV 21 ATEX 8775 X IECEx Certification NO.: IECEx TUR 21.0070X
Executive Standard:	(IEC)EN 60079-0, (IEC)EN 60079-1, (IEC)EN 60079-28, (IEC)EN 60079-31 EN 55015, EN 61547, EN 61000-3-2, EN 61000-3-3, EN 60598-1, EN 60598-2-5, EN 62031, EN 62493, IEC 62321-4, IEC 62321-5, IEC 62321-6, IEC 62321-7-1 IEC 62321-7-2, IEC 62321-8
Classification:	Group II, Zone 1 & 21 and 2 & 22

Electrical & Photometric Features:	
Luminaire Efficacy:	Max:152lm/W
Lifespan:	>100,000 hours
Operating Voltage:	100-277 VAC, 20-30 VAC, 347-480 VAC, 141-392VDC, 491-679 VDC
Power:	80W/100W/120W(Single lamp), 160W/200W/240W(Two lamps), 320W/400W/480W(Four lamps)
Frequency:	50/60Hz
Power Factor:	>0.98
THD:	<10%
Insulation Class:	I
Surge Protection:	4KV/6KV
LED Driver:	Over voltage protection/short circuit protection

Mechanical Features:	
Weight:	8.3Kg(80W~120W)/15Kg(160W~240W)/32kg(320W~480W)
Size:	332*212*142mm(80W~120W)/332*426*142mm(160W~240W) /671*426*142mm(320W~480W)
Ambient Temperature:	-40°C~+55°C
Connecting Terminals:	3*1.0-4mm <sup>2</sup> (L+N+PE)
Cable Entries:	2XM20*1.5 (NPT 3/4", M25*1.5 are optional)
Earthing Protection:	M4 (Internal & external earth bolts)
IP Code:	IP66
Enclosure Material:	Aluminium
Enclosure Colour:	Grey RAL7040
Coating:	Epoxy powder coating
Exposed Fastener:	Stainless steel
Protective Cover:	Tempered glass, Stand 7J impact

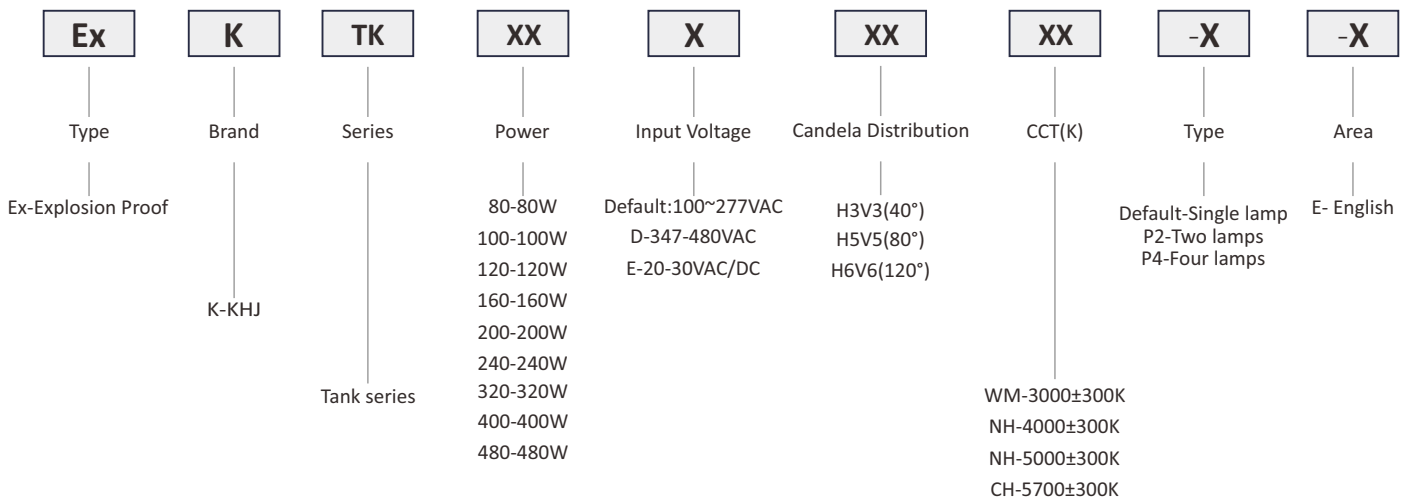


ATEX & IECEx Certified LED Floodlight in Hazardous Area.

### Product Differentiation

Rated Power	Operating Voltage:			Temp. Classification	
	100-277VAC	347-480VAC	20-30VAC/DC	-40°C~+55°C	-40°C~+60°C
80W	●	●	●	T5	T5
100W	●	●	●	T5	T5
120W	●	●	●	T5	T5
160W	●	●	/	T5	T4
200W	●	●	/	T5	T4
240W	●	●	/	T5	T4
320W	●	●	/	T5	T4
400W	●	●	/	T5	T4
480W	●	●	/	T5	T4

### Production Definition



### Ordering information

P/N	Operating Voltage(V)	Luminous Flux(lm)	Power(W)	CRI	Color Temp.	CCT(K)	Temp. Classification -40°C~+55°C
Ex-KTK80**CH-E		12107	80	70	Cool white	5700K±300K	T5
Ex-KTK80**NH-E		12107		70	Natural white	5000K±300K	T5
Ex-KTK80**NH-E		12107		70	Natural white	4000±300k	T5
Ex-KTK80**WM-E		10896		70	Warm white	3000±300k	T5
Ex-KTK100**CH-E		14954	100	70	Cool white	5700±300k	T5
Ex-KTK100**NH-E		14954		70	Natural white	5000±300k	T5
Ex-KTK100**NH-E		14954		70	Natural white	4000±300k	T5
Ex-KTK100**WM-E		13458		70	Warm white	3000±300k	T5



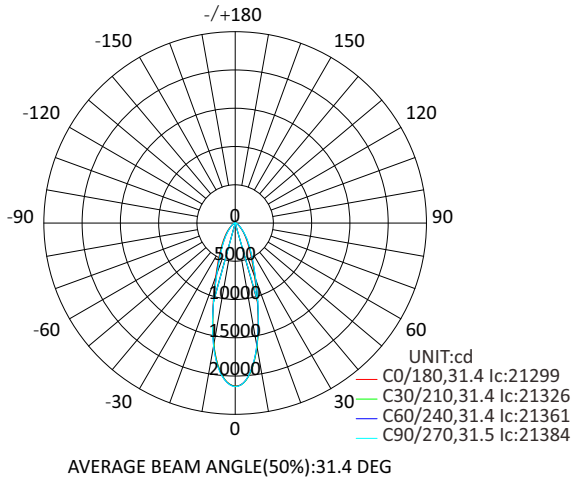
ATEX & IECEx Certified LED Floodlight in Hazardous Area.

## Ordering information

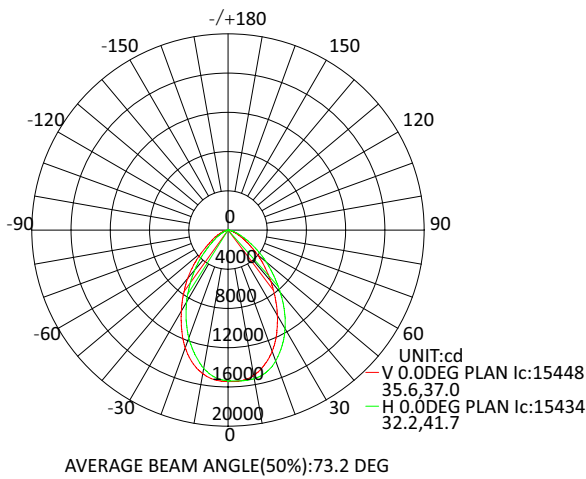
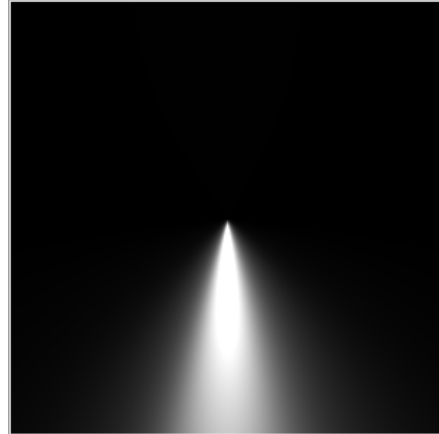
P/N	Operating Voltage(V)	Luminous Flux(lm)	Power(W)	CRI	Color Temp.	CCT(K)	Temp. Classification -40°C~+55°C
Ex-KTK120**CH-E	100-277 VAC (141-392 VDC)	17310	120	70	Cool white	5700±300k	T5
Ex-KTK120**NH-E		17310		70	Natural white	5000±300k	T5
Ex-KTK120**NH-E		17310		70	Natural white	4000±300k	T5
Ex-KTK120**WM-E		15579		70	Warm white	3000±300k	T5
Ex-KTK160**CH-P2-E		22910	160	70	Cool white	5700K±300K	T5
Ex-KTK160**NH-P2-E		22910		70	Natural white	5000K±300K	T5
Ex-KTK160**NH-P2-E		22910		70	Natural white	4000±300k	T5
Ex-KTK160**WM-P2-E		20619		70	Warm white	3000±300k	T5
Ex-KTK200**CH-P2-E		29145	200	70	Cool white	5700±300k	T5
Ex-KTK200**NH-P2-E		29145		70	Natural white	5000±300k	T5
Ex-KTK200**NH-P2-E		29145		70	Natural white	4000±300k	T5
Ex-KTK200**WM-P2-E		26230		70	Warm white	3000±300k	T5
Ex-KTK240**CH-P2-E		34136	240	70	Cool white	5700±300k	T5
Ex-KTK240**NH-P2-E		34136		70	Natural white	5000±300k	T5
Ex-KTK240**NH-P2-E		34136		70	Natural white	4000±300k	T5
Ex-KTK240**WM-P2-E		30884		70	Warm white	3000±300k	T5
Ex-KTK320**CH-P4-E		46400	320	70	Cool white	5700±300k	T5
Ex-KTK320**NH-P4-E		46400		70	Natural white	5000±300k	T5
Ex-KTK320**NH-P4-E		46400		70	Natural white	4000±300k	T5
Ex-KTK320**WM-P4-E		41760		70	Warm white	3000±300k	T5
Ex-KTK400**CH-P4-E	58054	400	70	Cool white	5700±300k	T5	
Ex-KTK400**NH-P4-E	58054		70	Natural white	5000±300k	T5	
Ex-KTK400**NH-P4-E	58054		70	Natural white	4000±300k	T5	
Ex-KTK400**WM-P4-E	52248		70	Warm white	3000±300k	T5	
Ex-KTK480**CH-P4-E	69120	480	70	Cool white	5700±300k	T5	
Ex-KTK480**NH-P4-E	69120		70	Natural white	5000±300k	T5	
Ex-KTK480**NH-P4-E	69120		70	Natural white	4000±300k	T5	
Ex-KTK480**WM-P4-E	62208		70	Warm white	3000±300k	T5	

Remarks: 1.The first \* stands for Operating Voltage including default -100-277VAC, D-347-480VAC ,E-20-30VAC.  
2.The second \* stands for Candela Distribution including H3V3,H5V5,H6V6.

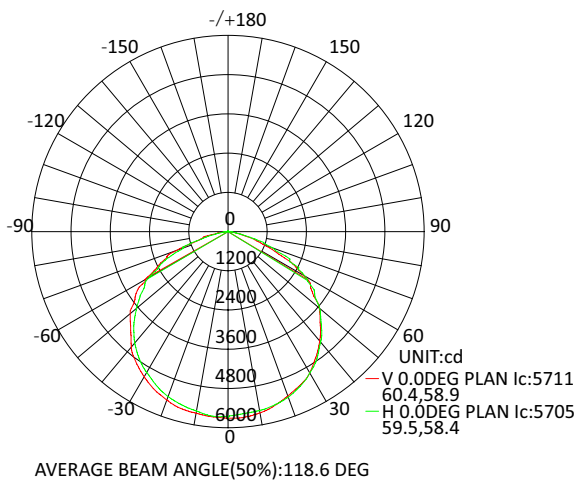
## Candela Distribution



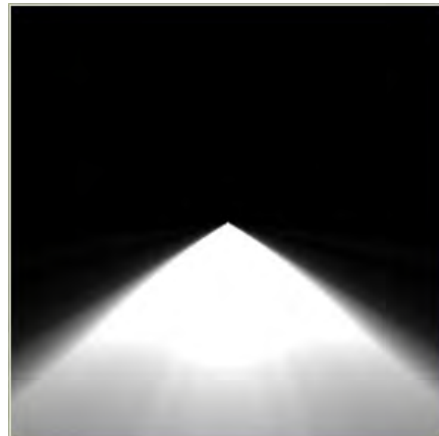
H3V3(40°)/High efficacy LED Source



H5V5(80°)/High efficacy LED Source



H6V6(120°)/High efficacy LED Source

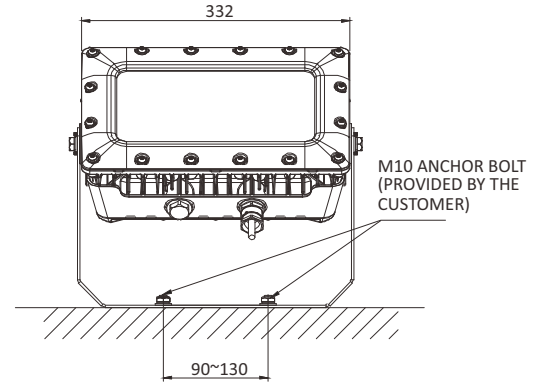
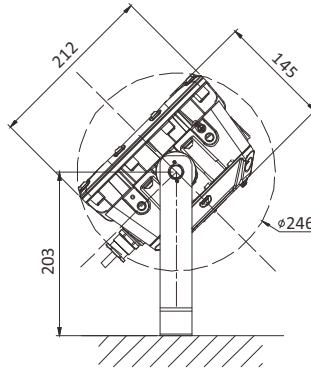
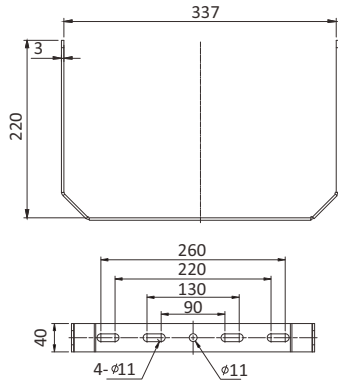


## Installation Method

Stanchion mount / Wall mount

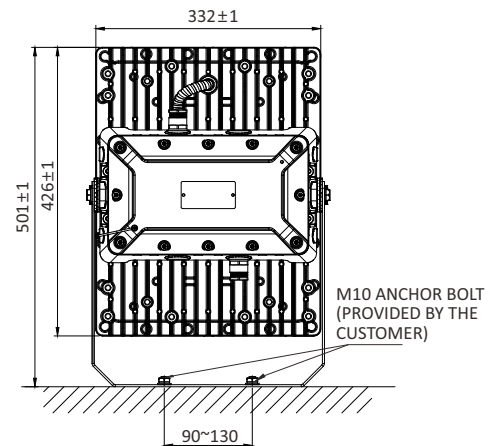
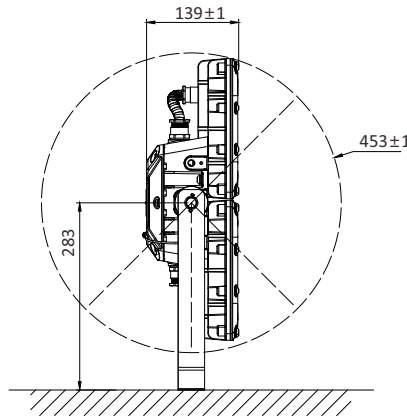
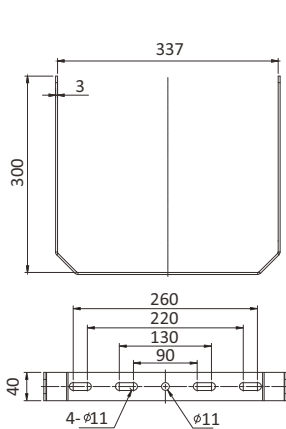
(unit:mm)

360°ROTATION(EVERY15° IS A ROTATION ANGLE)



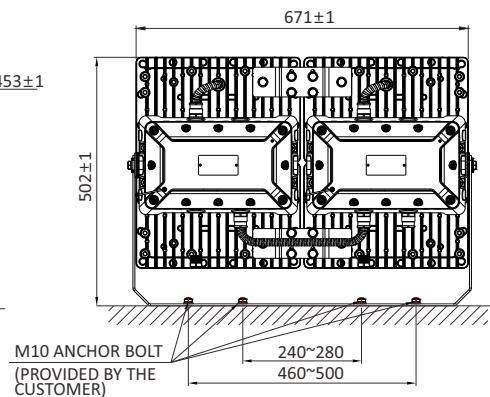
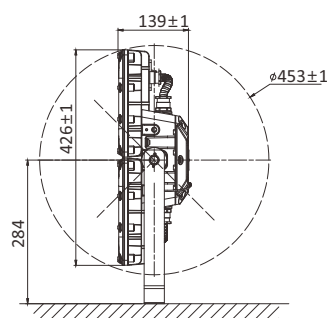
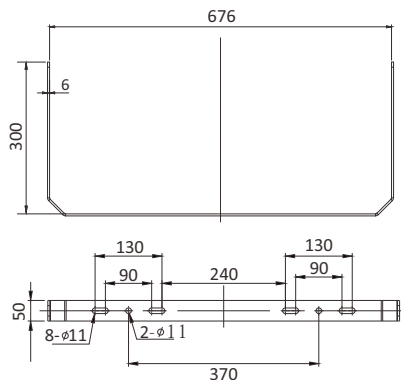
**SBT-TK-SUS316**  
Single lamp

360°ROTATION(EVERY15° IS A ROTATION ANGLE)



**SBT-TK-2-SUS316**  
Two lamps

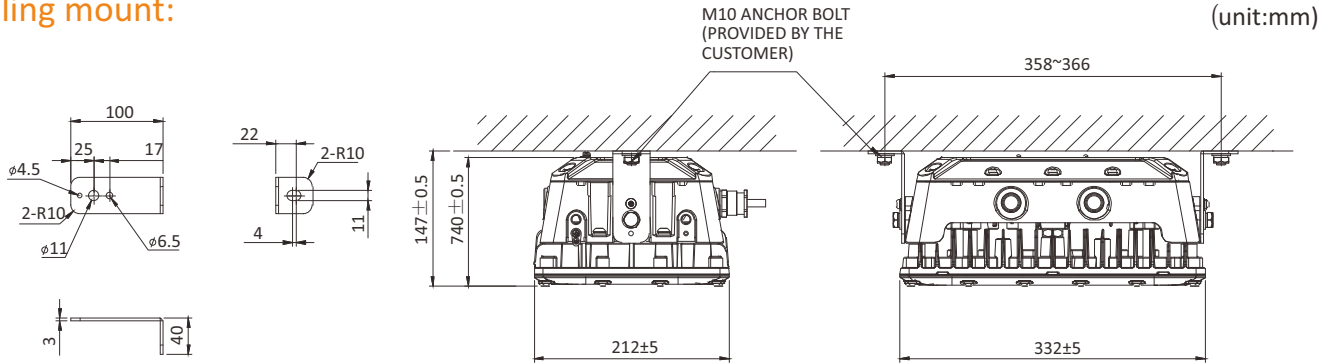
360°ROTATION(EVERY15° IS A ROTATION ANGLE)



**SBT-TK-4-G**  
Four lamps

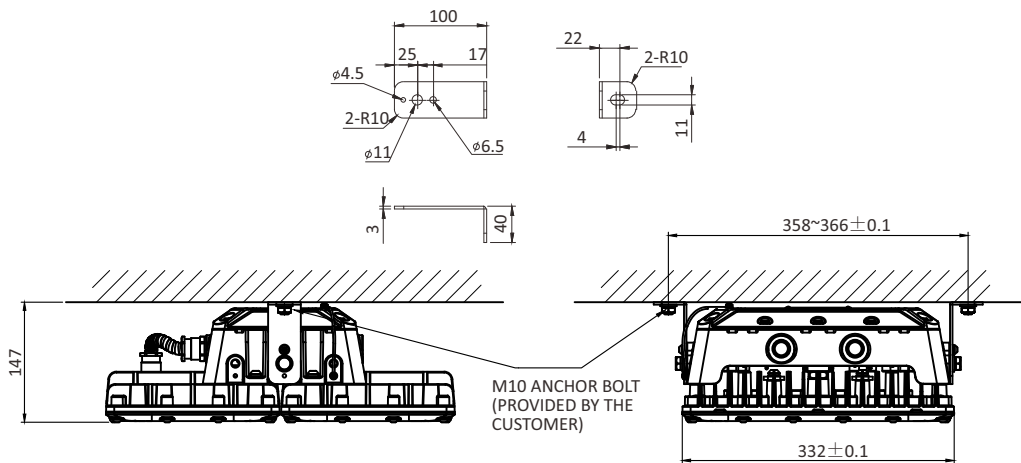
## Installation Method

### Ceiling mount:



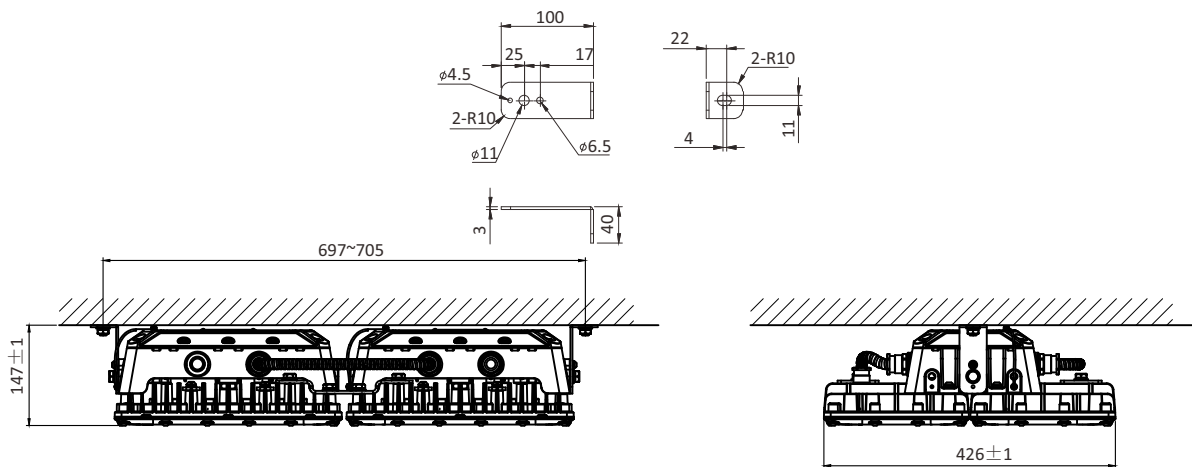
BR-TK-SUS316

Single lamp



BR-TK-SUS316

Two lamps



BR-TK-SUS316

Four lamps

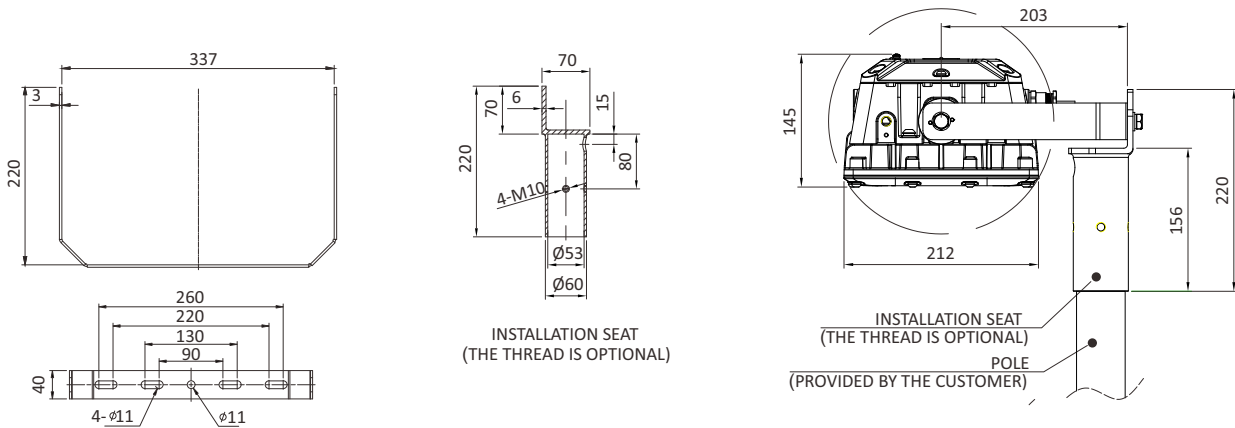


## Installation Method

### Pole Mount:

(unit:mm)

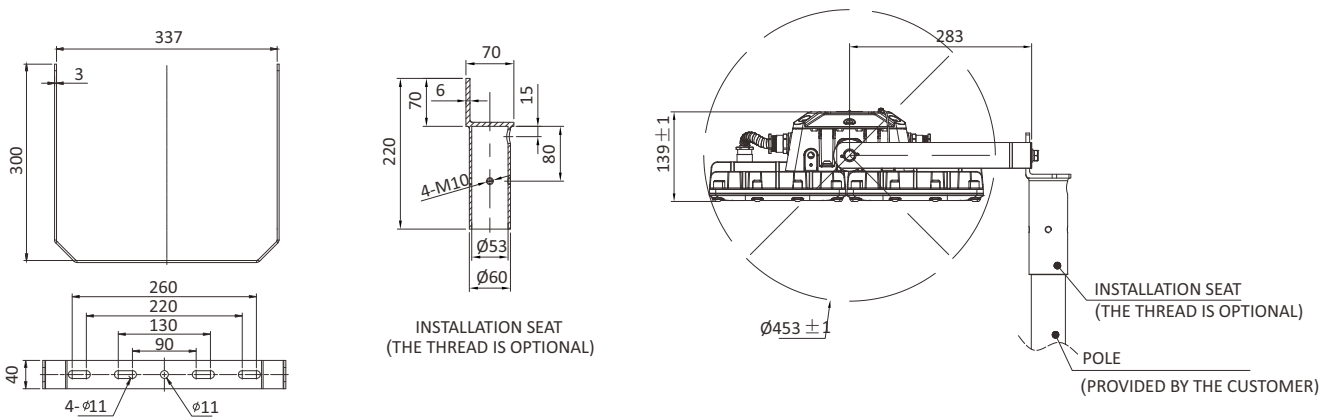
360°ROTATION(EVERY15° IS A ROTATION ANGLE)



(SBT-TK-SUS316)+(SBT2-F-G)  
Single lamp

360°ROTATION(EVERY15° IS A ROTATION ANGLE)

(unit:mm)



(SBT-TK-2-SUS316)+(SBT2-F-G)  
Two lamps

Remarks: Pole mount bracket for four lamps needs to be customized.

## Optional Parts

No.	Installation Accessories	Part No.	Picture	Material	Weight(Kg)	QTY		Remarks
1	Ceiling Bracket	BR-TK-SUS316		SUS316	0.9	Single lamp	1	
						Two lamps	1	
						Four lamps	1	
2	Stanchion Bracket	SBT-TK-SUS316		SUS316	0.8	1	Single lamp	
3	Stanchion Bracket	SBT-TK-2-SUS316		SUS316	1	1	Two lamps	
4	Stanchion Bracket	SBT-TK-4-G		Q235	3	1	Four lamps	
5	Pole Mount Bracket	(SBT2-F-G) +(SBT-TK-SUS316)		SUS316+Q235	2.4	1	Single lamp	
6	Pole Mount Bracket	(SBT2-F-G) +(SBT-TK-2-SUS316)		SUS316+Q235	2.6	1	Two lamps	