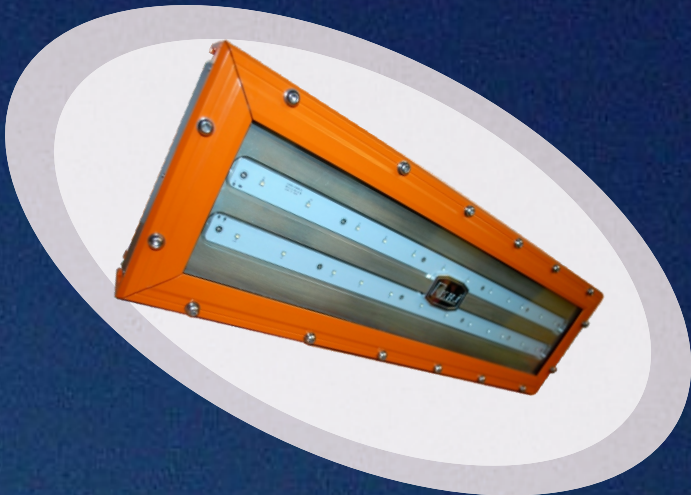


Swordfish Series



LED Explosion proof floodlight

Ex Mark: Ex d IIB T6 Gb
Ex tb III C T80 C Db IP66

★ KHJ-LED Explosion Proof Lighting

Features and benefits

1. Energy saving. Reduce the number of luminaires you need, providing excellent efficacy-more light where you need it.
2. Anti-glare. reduces glare in applications where the user may have direct visual contact with the light source.
3. Shock- and vibration-resistant- tempered glass , reduces the risk of premature failure.
4. OSRAM LED source. High efficacy lumen output and high CRI.
5. Driver module assembly -High efficiency LED drivers are designed to provide reliable operation in even the harshest environments.
6. Copper -Free Aluminum enclosure, can endure 10J impact. IP66, can be used in marine and wet locations-robust construction suitable for saltwater and corrosive applications.
7. Different installation methods.
8. Safety chain design. Prevent any fall-off.
9. High power factor,energy saving.
10. Ambient temperature from -40° C to 55° C.

Applications:

1. Petroleum Industry, Petrochemical Industry, Metallurgical Industry, Power Generation Industry, Power Transmission Industry, Machine Manufacturing. etc.
2. Drilling platform, single point moorings, oil tanks, workover platform, production platform, field tank, manifold center, pumping station, gasoline station, transformer station, coating plant ,warehouse .etc.

Executive standard:

- | | |
|-------------------|---------------------------|
| ·IEC 60079-0:2007 | ·EN 60079-7:2007 |
| ·IEC 60079-1:2007 | ·EN 60598-1:2008+A11:2009 |
| ·IEC 60079-7:2006 | ·EN 55015:2013 |
| ·EN 60079-0:2009 | ·IEC 62321:2008 |
| ·EN 60079-1:2007 | |

Division:

- ATEX Zone 1 & 21 and 2 & 22
- Class I Divison 1&2 Groups C、 D
- Class II Divison 1 Groups E、 F、 G
- Class II Divison 2 Groups F、 G
- Class III Divison 1
- Class III Divison 2



Ex Mark&Certifications:

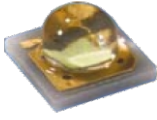
- Ex d IIB T6 Gb;
- Ex tb IIIC T80°C Db IP 66
- ABS Compliant
- CE Compliant
- RoHS Compliant
- IP 66 Rated



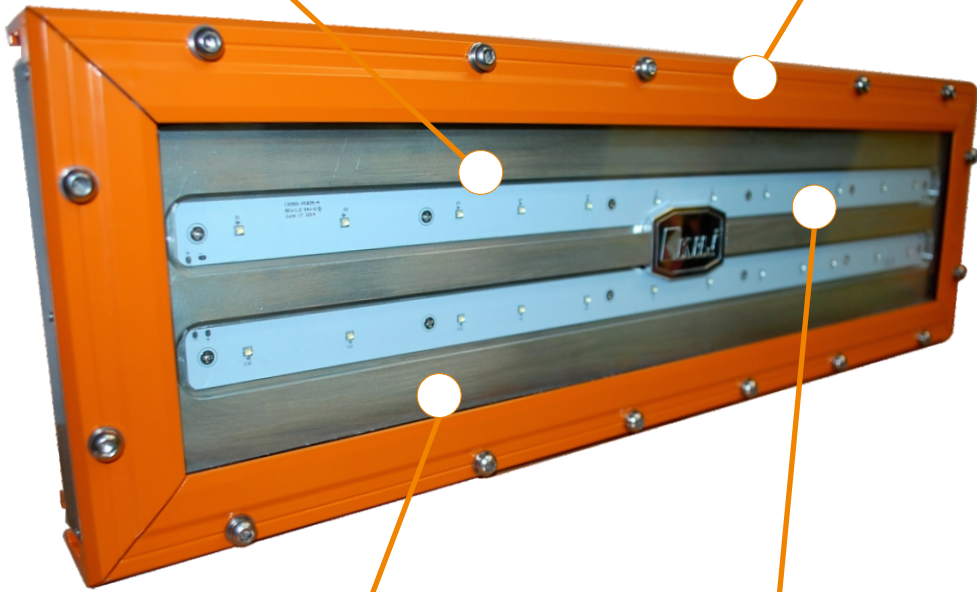
★ CHARACTERISTIC DETAILS



OSRAM LED source ,high efficacy and lumen output.



Explosion proof aluminium alloy enclosure, high performance of anti- impact. Can endure 10J impact.



Copper -Free Aluminum enclosure , anti-corrosion. Suitable for different application.

LED clung to the enclosure which make heat dissipation fast. Lower the junction Temp.

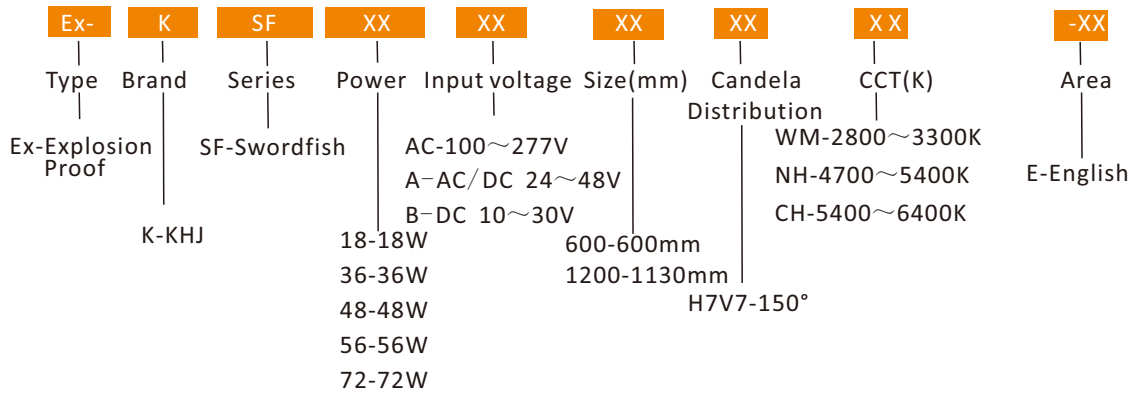


Characteristic details

★ PERFORMANCE PARAMETER



Product Definition



Performance Parameter

Electrical Parameter:

Product type	Rated input voltage (VAC)	Rated input voltage (VDC)	Rated input current (A)	Frequency (Hz)	Rated power (W)	LED input current (mA)	PF
Ex-KSF18600	100 ~ 277	/	0.18 ~ 0.07	50/60	18	600	> 0.98
Ex-KSF18A600	24 ~ 48	24 ~ 48	0.77 ~ 0.38	/	18	600	/
Ex-KSF18B600	/	10 ~ 30	1.84 ~ 0.61	/	18	600	/
Ex-KSF36600	100 ~ 277	/	0.37 ~ 0.13	50/60	36	600	> 0.98
Ex-KSF36A600	24 ~ 48	24 ~ 48	1.53 ~ 0.77	/	36	600	/
Ex-KSF36B600	/	10 ~ 30	3.67 ~ 1.22	/	36	600	/
Ex-KSF48600	100 ~ 277	/	0.49 ~ 0.18	50/60	48	600	> 0.98
Ex-KSF48A600	24 ~ 48	/	2.04 ~ 1.02	/	48	600	/
Ex-KSF48B600	/	10 ~ 30	4.9 ~ 1.63	/	48	600	/
Ex-KSF361200	100 ~ 277	/	0.37 ~ 0.13	50/60	36	600	> 0.98
Ex-KSF36A1200	24 ~ 48	24 ~ 48	1.53 ~ 0.77	/	36	600	/
Ex-KSF36B1200	/	10 ~ 30	3.67 ~ 1.22	/	36	600	/
Ex-KSF481200	100 ~ 277	/	0.49 ~ 0.18	50/60	48	600	> 0.98
Ex-KSF48A1200	24 ~ 48	24 ~ 48	2.04 ~ 1.02	/	48	600	/
Ex-KSF48B1200	/	10 ~ 30	4.9 ~ 1.63	/	48	600	/
Ex-KSF561200	100 ~ 277	/	0.57 ~ 0.21	50/60	56	600	> 0.98
Ex-KSF56A1200	24 ~ 48	24 ~ 48	2.38 ~ 1.19	/	56	600	/
Ex-KSF56B1200	/	10 ~ 30	5.71 ~ 1.9	/	56	600	/
Ex-KSF721200	100 ~ 277	/	0.73 ~ 0.27	50/60	72	600	> 0.98
Ex-KSF72A1200	24 ~ 48	24 ~ 48	3.06 ~ 1.53	/	72	600	/
Ex-KSF72B1200	/	10 ~ 30	7.35 ~ 2.45	/	72	600	/

★ PERFORMANCE PARAMETER



Performance Parameter

Product type	P/N	Color temp.	CCT(K)	CRI	Luminous flux(lm)	Beam angle
Ex-KSF18*600	Ex-KSF18*600H7V7WM-E	Warm white	2800 ~ 3300	82	1362	150°
	Ex-KSF18*600H7V7NH-E	Natural white	4700 ~ 5400	70	1703	150°
	Ex-KSF18*600H7V7CH-E	Cool white	5400 ~ 6400	70	1703	150°
Ex-KSF36*600	Ex-KSF36*600H7V7WM-E	Warm white	2800 ~ 3300	82	2724	150°
	Ex-KSF36*600H7V7NH-E	Natural white	4700 ~ 5400	70	3406	150°
	Ex-KSF36*600H7V7CH-E	Cool white	5400 ~ 6400	70	3406	150°
Ex-KSF48*600	Ex-KSF48*600H7V7WM-E	Warm white	2800 ~ 3300	82	3633	150°
	Ex-KSF48*600H7V7NH-E	Natural white	4700 ~ 5400	70	4541	150°
	Ex-KSF48*600H7V7CH-E	Cool white	5400 ~ 6400	70	4541	150°
Ex-KSF36*1200	Ex-KSF36*1200H7V7WM-E	Warm white	2800 ~ 3300	82	2724	150°
	Ex-KSF36*1200H7V7NH-E	Natural white	4700 ~ 5400	70	3406	150°
	Ex-KSF36*1200H7V7CH-E	Cool white	5400 ~ 6400	70	3406	150°
Ex-KSF48*1200	Ex-KSF48*1200H7V7WM-E	Warm white	2800 ~ 3300	82	3633	150°
	Ex-KSF48*1200H7V7NH-E	Natural white	4700 ~ 5400	70	4541	150°
	Ex-KSF48*1200H7V7CH-E	Cool white	5400 ~ 6400	70	4541	150°
Ex-KSF56*1200	Ex-KSF56*1200H7V7WM-E	Warm white	2800 ~ 3300	82	4238	150°
	Ex-KSF56*1200H7V7NH-E	Natural white	4700 ~ 5400	70	5298	150°
	Ex-KSF56*1200H7V7CH-E	Cool white	5400 ~ 6400	70	5298	150°
Ex-KSF72*1200	Ex-KSF72*1200H7V7WM-E	Warm white	2800 ~ 3300	82	5449	150°
	Ex-KSF72*1200H7V7NH-E	Natural white	4700 ~ 5400	70	6811	150°
	Ex-KSF72*1200H7V7CH-E	Cool white	5400 ~ 6400	70	6811	150°

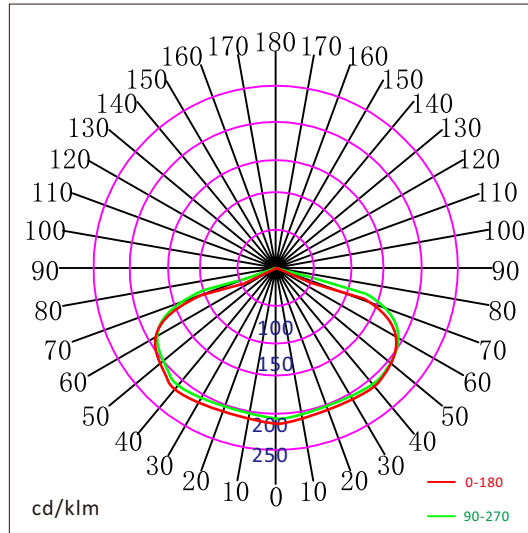
Remarks: *Stands for Rated input voltage, including Default-AC-100~277V,A-AC/DC 24~48V,B-DC 10~30V.

Other parameter:

Product type	Size (mm)	Weight (Kg)	Ambient temp (°C)	Temp.classification	IP Code	Insulation
Ex-KSF18*600	600*187*80	8.5	-40~+55	T6	IP66	I
Ex-KSF36*600	600*187*80	8.5	-40~+55	T6	IP66	I
Ex-KSF48*600	600*187*80	8.5	-40~+55	T6	IP66	I
Ex-KSF36*1200	1130*187*80	14.2	-40~+55	T6	IP66	I
Ex-KSF48*1200	1130*187*80	14.2	-40~+55	T6	IP66	I
Ex-KSF56*1200	1130*187*80	14.2	-40~+55	T6	IP66	I
Ex-KSF72*1200	1130*187*80	14.2	-40~+55	T6	IP66	I

Remarks: *Stands for Rated input voltage, including Default-AC-100~277V,A-AC/DC 24~48V,B-DC 10~30V.

Candela Distribution



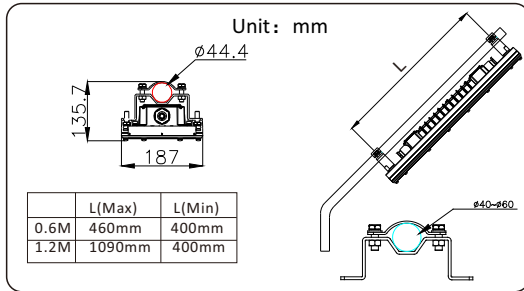
S/ MHwp : 2. 5 : 1



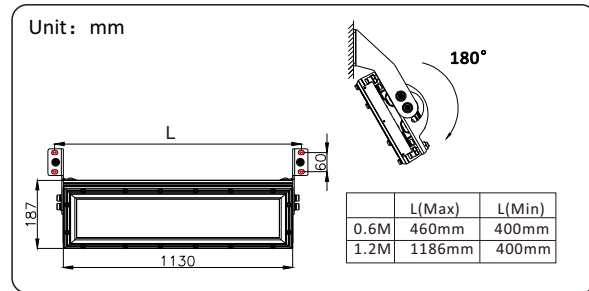
★ INSTALLATION METHOD



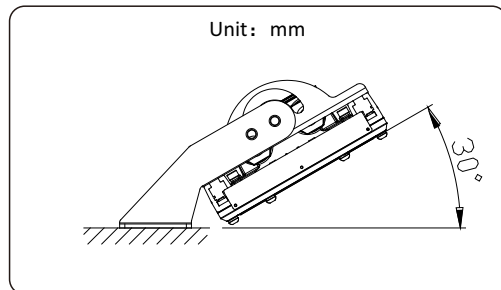
INSTALLATION METHOD



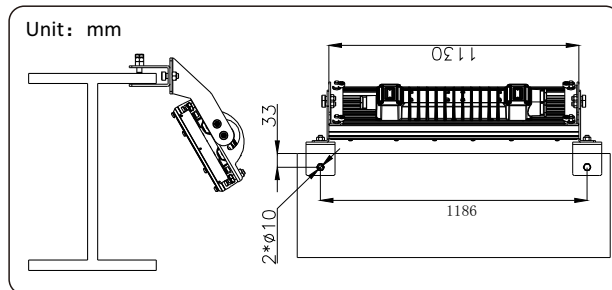
Pipe clamp



Wall mount

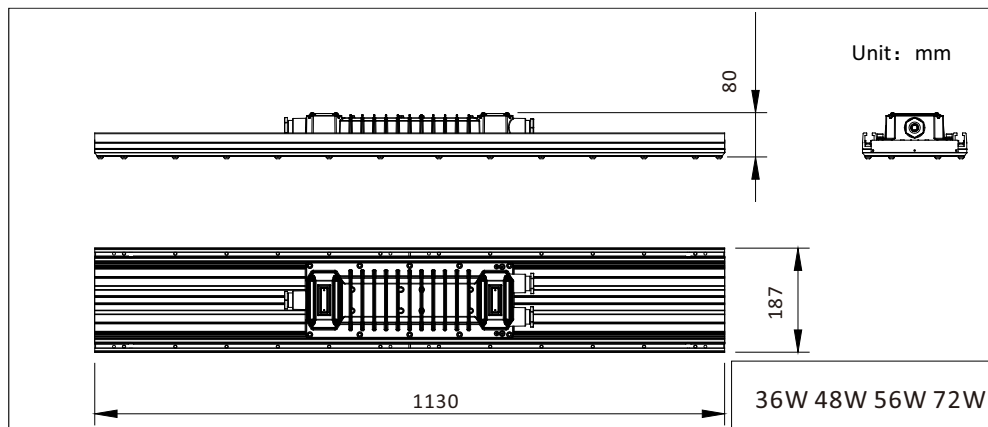
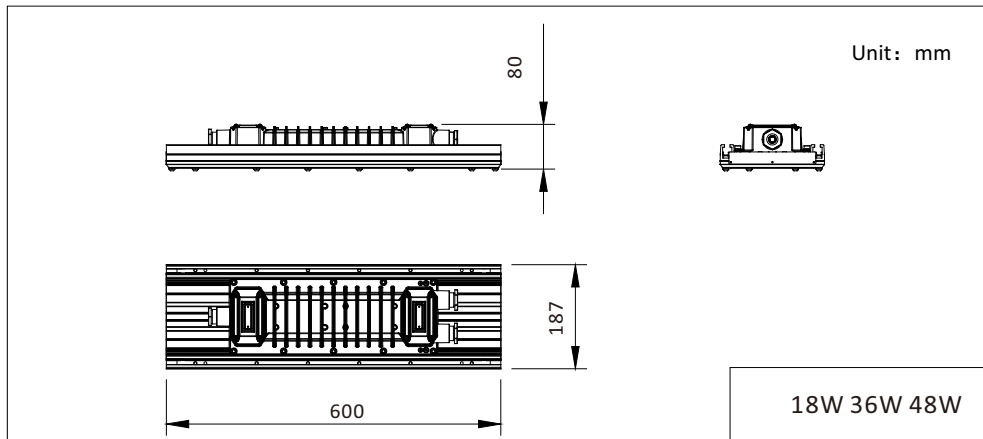


Stanchion mount



Clamp mount

Size

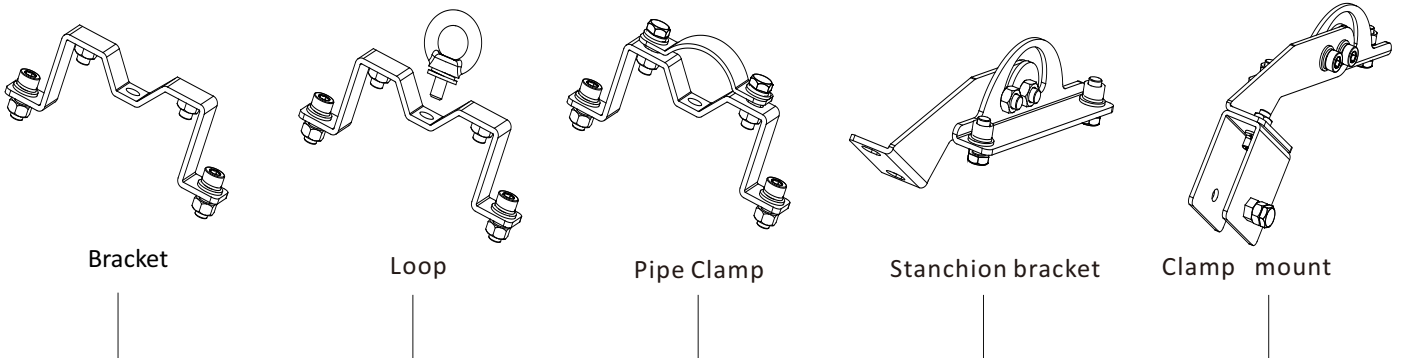




Optional parts

NO.	Installation accessories		Material	Weight (Unit: kg)	QTY	Remarks
1	Bracket		Q235	0.8	2	/
2	Loop		Q235	1.2	2	/
3	Pipe Clamp		Q235	1.8	2	/
4	Stanchion bracket		Q235	2.6	2	/
5	Clamp mount		Q235	3.0	2	/

Accessories



Optional Parts

⚠ Caution

- 1.To avoid the risk of fire, explosion, or electric shock, this product should be installed, inspected, and maintained by a qualified electrician only, in accordance with all applicable electrical codes.
- 2.To avoid electric shock:
Be certain electrical power is OFF before and during installation and maintenance.
Luminaire must be supplied by a wiring system with an equipment grounding conductor.
- 3.To avoid burning hands:
Make sure lens and housing are cool when performing maintenance.
- 4.To avoid explosion:
 - 1)Make sure the supply voltage is the same as the luminaire voltage.
 - 2)Do not install where the marked operating temperatures exceed the ignition temperature of the hazardous atmosphere.
 - 3)Do not operate in ambient temperatures above those indicated on the luminaire nameplate.
 - 4)All gasket seals must be clean.
 - 5)Before opening, electrical power to the luminaire must be turned off. Keep tightly closed when in operation.

Package Check

1. Check the carton and all the components according to the packing list.
- 2.Make sure the product is in good conditions.

Transportation

Please keep this product from heavy mechanical shock, exposure to strong sunshine, throwing, rolling and stress during transport

Storage

Kept in dry, clean and well-ventilated, non-corrosive medium warehouse, the ambient temperature should be -40°C to 55°C.

After-sales service

Installation and maintenance must be according to the instruction.
If customer can not deal with it by themselves, please contact with sales department.

Contact

SHENZHEN KHJ SEMICONDUCTOR LIGHTING CO., LTD.

Address: KHJ industrial park, Building 1, Chuangxin industrial park, Xintian community, Guanlan, Longhua new district, Shenzhen, China.

Tel: +86-755-82949977
E-mail: khjlledsales@khj.cn

Fax: +86-755-82949800
Web: www.khjled.com